

- Before getting started, read these instructions and save them for later reference.
- Turn off the POS Terminal before cleaning. Clean with dry cloth only. Do not spray any liquid cleaner directly on the screen.
- The power outlet socket used to plug in power cord must be located near the system and easily accessible.
- Make sure the voltage of the power source is set correctly before connecting the POS Terminal to power outlet.
- If the POS Terminal shares an extension cord with other devices, make sure the total loading of the devices plugged into the extension cord does not exceed the extension cord's maximum loading.
- Do not expose the power cord, extension cord and power outlet to moisture or traffic intensive walkways.
- Install the POS Terminal on a sturdy and reliable surface to prevent damage caused by dropping.
- The operating system must be first loaded before installing any software into the POS Terminal.
- Disconnect the power cord from the POS terminal before any installation of internal components. Make sure both the POS terminal and the external devices are turned off. A sudden surge of power may damage sensitive components. Also make sure the POS terminal is properly grounded.
- During installation of any internal components, be sure to ground yourself and discharge any static electricity. Most electronic components are highly sensitive to static electric charge. Use a grounding wrist strap and place all electronic components in any static-shielded devices. If a wrist-grounding strap is not available, ground yourself by touching an unpainted piece of metal.
- The openings on the POS Terminal enclosure are for the cabin ventilation to prevent the POS terminal from overheating. **DO NOT COVER THE VENTILATION OPENINGS.**
- The brightness of the flat panel display will decrease after using over long periods of time. However, hours of use will vary depending on the application environment.
- If the POS Terminal is equipped with a touch panel, avoid using sharp or metallic objects to operate the touch panel. Scratches on the touch panel may cause mal-calibration or serious damage to the panel.
- The LCD panel display is not resistive to shock or vibration. When disassembling the POS Terminal, make sure the LCD panel is properly and securely installed.

Warning & Attention

Technical Support

- To enter the **Boot Menu**, press **F10**.
- To set CMOS default, press **F2** to enter **CMOS setting** and load optimized defaults
- Refer to **User Manual** for other technical information and FAQs. If the problems are not resolved, contact your local vendor for further support and provide them with the information below: **product name, product serial number, and detailed description of your problem.**

Safety notices

⚠ Before You Proceed

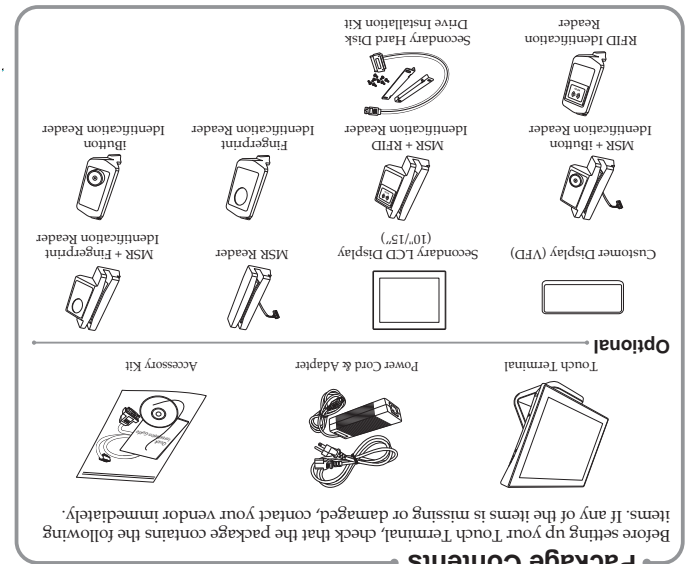
- Read safety notice and User Manual carefully before using the product.
- Keep the box and packaging in case the product needs to be shipped in the future.
- Follow the product and warning label instructions.
- Any changes or modifications that do not follow the instructions in this manual will void this product's warranty.

⚠ Power Supply Safety Notice

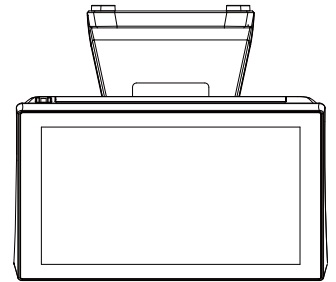
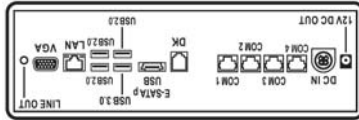
- To avoid electric shocks, disconnect the power cord from the electrical outlet before relocating the system.
- Make sure the voltage of the power outlet conforms within voltage range of the terminal. Failure to comply may cause the electric shock or damage to the terminal. If you are not sure of the electricity voltage that you are using, contact your local electricity company.
- To avoid fire or electric shocks, do not overload electric power outlets.
- Protect the power cord from being walked on or pinched particularly at plug, convenience receptacles, and the point where they exit from the apparatus.

NOTICE

The version of these drivers and manuals is subject to change without notice. For update, please contact your local agent.



W-615



Overview

ZPKMU-00164

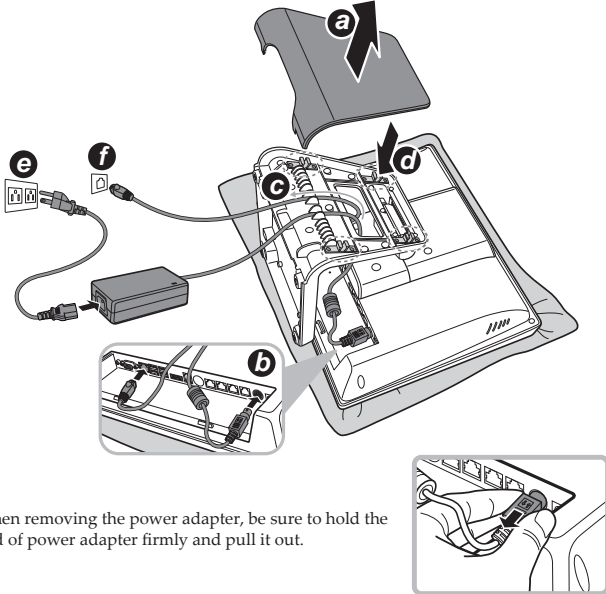


Wonder Series

Quick Installation Guide V1.0

Installing the Power Cord, Power Adapter, and Network Cable

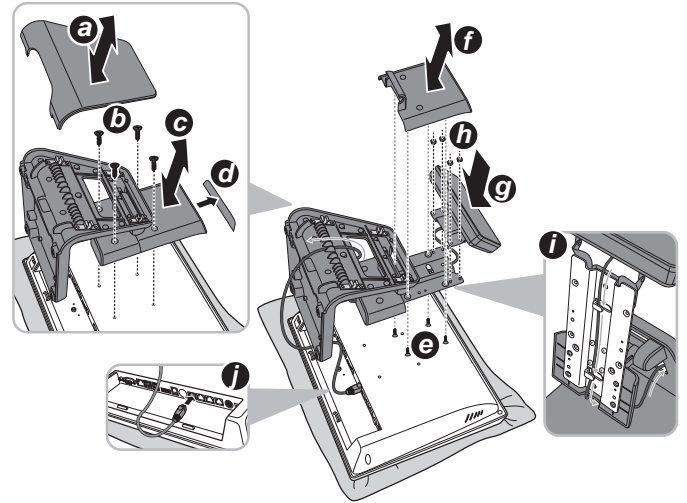
1. Place the Touch Terminal on a soft and flat surface, with the LCD panel facing down. Remove the cable compartment cover. (a)
2. Connect the network cable to the LAN port. Then connect the power adapter to the DC IN jack. (b)
3. Route the power adapter and the network cable through the cable compartment. (c)
4. Align and install the cable compartment. (d)
5. Connect the power adapter to the power cord. Then plug the other end of the power cord to an electrical outlet. (e)
6. Connect the network cable to a hub or switch. (f)



When removing the power adapter, be sure to hold the end of power adapter firmly and pull it out.

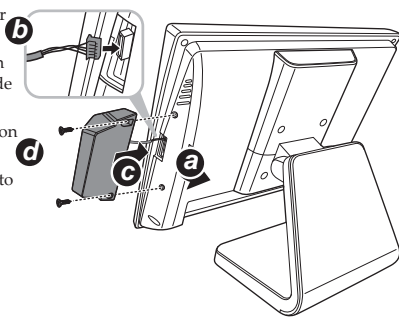
Installing the Customer Display (Optional)

1. Place the Touch Terminal on a soft and flat surface, with the LCD panel facing down. Remove the cable compartment cover. (a)
2. Remove the four screws on the stand. (b)
3. Remove the stand. (c)
4. Remove the supportive tape from the stand. (d)
5. Remove the four screws on the stand cover. (e)
6. Remove the stand cover. (f)
7. Align and install the customer display into the four threaded standoffs on the stand. (g)
8. Secure the customer display to the stand with the four screw nuts. (h)
9. Route the customer display's interface cable through the cable guides on the stand and through the cable compartment as illustrated. (i)
10. Connect the customer display's interface cable to the RJ-45 COM port on Touch Terminal. (j)
11. Reverse steps 6 through 1 to complete installing the customer display.



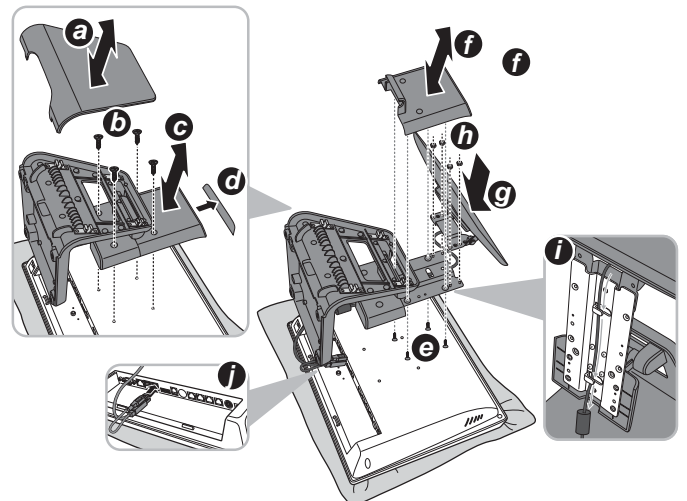
Installing the Identification Reader (Optional)

1. Remove the identification reader compartment cover. (a)
2. Firmly connect the identification reader connector into the slot inside the compartment. (b)
3. Align and install the identification reader onto its compartment. (c)
4. Secure the identification reader to the Touch Terminal using the two screws. (d)



Installing the Secondary LCD Display (Optional)

1. Place the Touch Terminal on a soft and flat surface, with the LCD panel facing down. Remove the cable compartment cover. (a)
2. Remove the four screws on the stand. (b)
3. Remove the stand. (c)
4. Remove the supportive tape from the stand. (d)
5. Remove the four screws on the stand cover. (e)
6. Remove the stand cover. (f)
7. Align and install the secondary LCD display into the four threaded standoffs on the stand. (g)
8. Secure the secondary LCD display to the stand with the four screw nuts. (h)
9. Route the secondary LCD display's power cable and USB cable through the cable guides on the stand as illustrated. (i)
10. Connect the secondary LCD display's power cable and USB cable to the corresponding ports on Touch Terminal. (j)
11. Reverse steps 6 through 1 to complete installing the secondary LCD display.



Installing the VESA Mount (Optional)

1. Place the Touch Terminal on a soft and flat surface, with the LCD panel facing down. Remove the cable compartment cover. (a)
2. Remove the four screws on the stand. (b)
3. Remove the stand. (c)
4. Align and install the mount bracket on the back of the Touch Terminal. (d)
5. Secure the mount bracket to the Touch Terminal with the four screws. (e)
6. Drill four small holes on the mounting location and insert the plastic washers into the holes. (f)
7. Align by the screw holes and then install the wall bracket on the wall. (g)
8. Secure the wall bracket to the wall with the four supplied screws. (h)
9. Align and hook the Touch Terminal to the wall bracket, and then push down to secure it into place. (i)
10. Replace the cable compartment cover for storing the stand assembly. (a)

